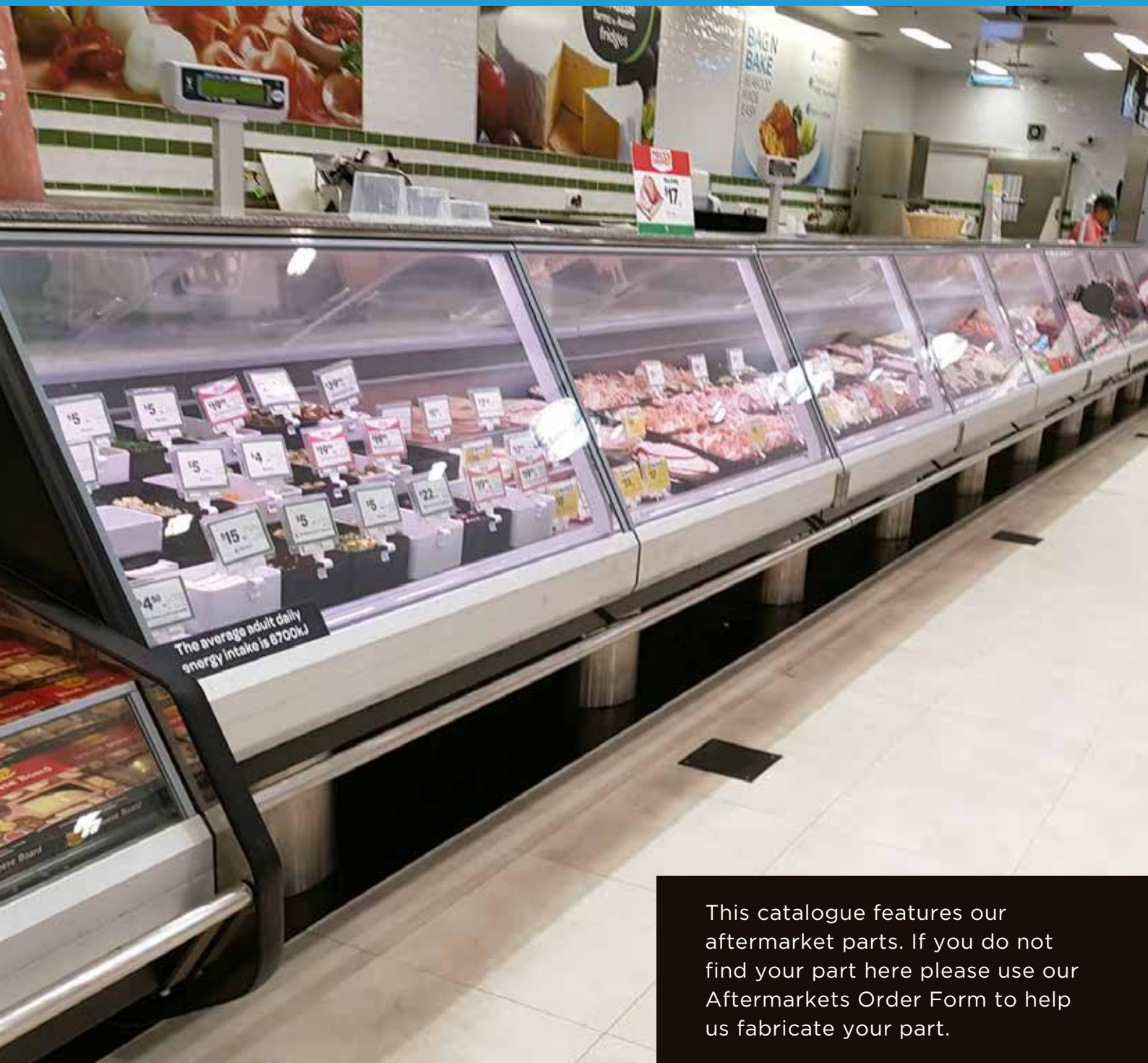


Display Case and Refrigeration Aftermarket Plastic Parts



This catalogue features our aftermarket parts. If you do not find your part here please use our Aftermarkets Order Form to help us fabricate your part.



INDUSTRIAL PLASTICS™

Unit D, 731 Curtin Avenue E, Pinkenba, QLD, 4008, Australia

PHONE: 1300 465 888 | EMAIL: plastics@industrialplastics.com.au | WEB: industrialplastics.com.au

INDEX OF STANDARD PARTS

Item Code	Description	Page
R-AM-DELENDPAN	Silver Mirror Acrylic	Mirror 1 - MI 1
R-AM-DELINSPAN	Silver Mirror Acrylic	Mirror 1 - MI 1
R-AM-DELIDIVFEET	Deli Divider w/Folded Feet	Divider 1 - DI 1
R-AM-96H11-195	System Divider	Divider 2 - DI 2
R-AM-CASDIV-XD12	Case Divider	Divider 3 - DI 3
R-AM-FREEDIV	Freezer Divider	Divider 4 - DI 4
R-AM-KYSWAR3DIV	KWM3 Kysor Warren M3 Divider	Divider 5 - DI 5
R-AM-SYSTDIV	System Divider	Divider 6 - DI 6
R-AM-AUSMEATDIV	Austral Meat Case Divider	Divider 7 - DI 7
R-AM-DELIDIV	Deli Divider	Divider 8 - DI 8
R-AM-SEAENDDIV	Seafood Case End Divider	Divider 9 - DI 9
R-AM-PRODIVSHE	Product Divider	Divider 10 - DI 10
R-AM-AUST-DI-1	Austral Deli Case (XDIS4DE2-1W)	Divider 11 - DI 11
R-AM-AUST-DI-2	Austral Deli Case (ND12W4DE-1W 3672)	Divider 12 - DI 12
R-AM-DAIRYCASE	Dairy Case Return Panels	Guards/Barriers 1 - GB 1
R-AM-BREEGUA-XM20	Breeze Guard	Guards/Barriers 2 - GB 2
R-AM-HUSSRHRLOW	Hussmann RHR Low Level Barrier	Guards/Barriers 3 - GB 3
R-AM-HUSSRHRMID	Hussmann RHR Mid Level Barrier	Guards/Barriers 4 - GB 4
R-AM-M4MEAT	M4 Meat Case Guard	Guards/Barriers 5 - GB 5
R-AM-D6LSLIM	KWD6LSLIMLINE D6L Slimline Guard	Guards/Barriers 6 - GB 6
R-AM-D6LGUARD	KWD6L D6L Guard	Guards/Barriers 7 - GB 7
R-AM-FRIDBREEGUA	Fridgerite Breeze Guard	Guards/Barriers 8 - GB 8
R-AM-LOOSNEGUA	Loose Roll Sneeze Guard	Guards/Barriers 9 - GB 9
R-AM-ROLLBARR	Roll Strip Barrier	Guards/Barriers 10 - GB 10
R-AM-BAKEDOOR	Bakery Loose Roll Cabinet Door	Doors 1 - DO 1
R-AM-SLIDING DOOR	Sliding Door	Doors 2 - DO 2
R-AM-AUSXD135	Austra XD1354DEY1 - 1W - 3672	Other 1 - OT 1
R-AM-CHOPBOARD	Chopping Board	Other 2 - OT 2

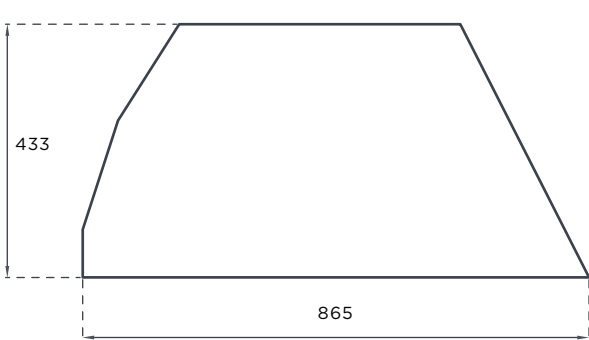
DISPLAY CASE AND REFRIGERATION

Aftermarket Plastic Parts - Mirrors



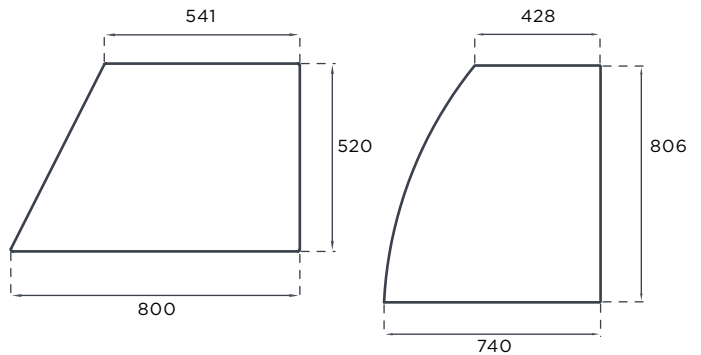
Silver Mirror Acrylic

- Superb optical performance
- Available 3mm and 6mm thick
- 7 x break resistance of glass
- Easy to cut on-site if required
- Any shape or size



Deli Case End Panel
Silver Mirror Acrylic
Silver Mirror Acrylic 3mm

IDP NUMBER	R-AM-DELENDPAN
OEM	
OEM BADGE NUMBER	
SUITABLE FOR	DELI CASES



Infinity End Panel
Silver Mirror Acrylic
Silver Mirror Acrylic 3mm

IDP NUMBER	R-AM-DELINSPAN
OEM	
OEM BADGE NUMBER	
SUITABLE FOR	DELI CASES

DISPLAY CASE AND REFRIGERATION

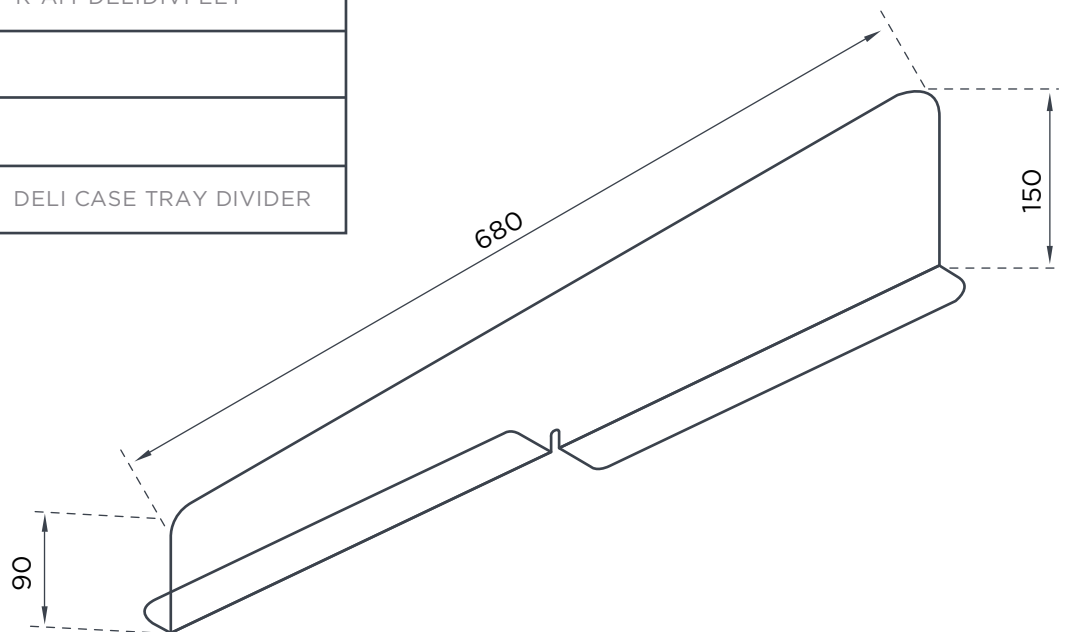
Aftermarket Plastic Parts - Dividers



R-AM-DELIDIVFEET

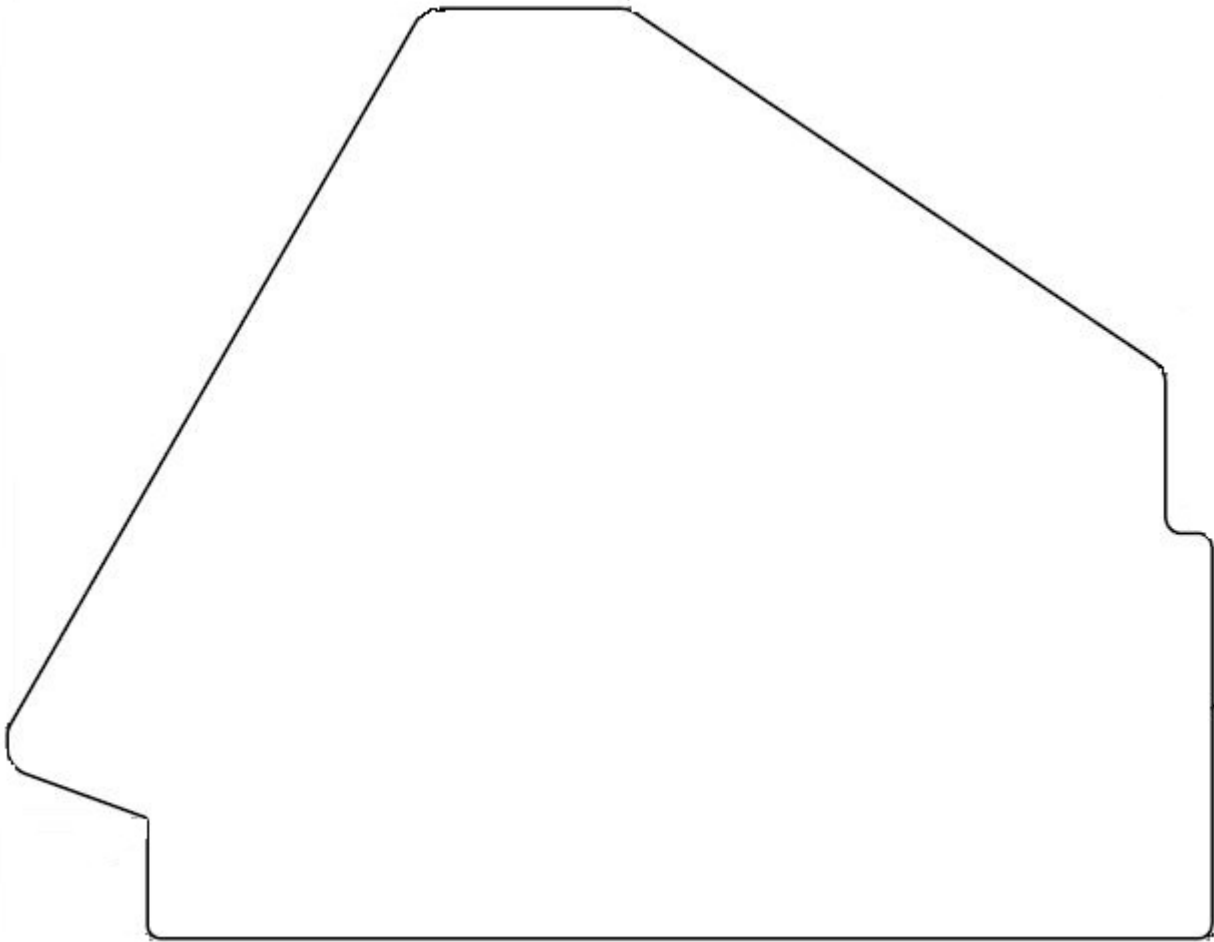
- Deli Divider w/Folded Feet
- Acrylic Clear 3mm or 4.5mm w/Folded Feet

IDP NUMBER	R-AM-DELIDIVFEET
OEM	
OEM BADGE NUMBER	
SUITABLE FOR	DELI CASE TRAY DIVIDER



DISPLAY CASE AND REFRIGERATION

Aftermarket Plastic Parts



R-AM-96H11-195

- System divider kit CLR
- 6mm Acrylic

IDP NUMBER	R-AM-96H11-195
OEM	HUSSMANN
OEM BADGE NUMBER	96H11-195
SUITABLE FOR	DELI CASE

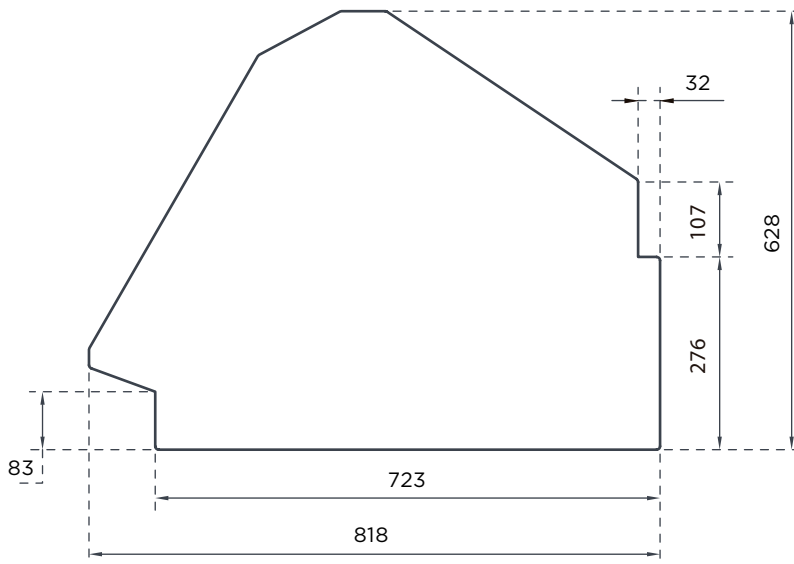
DISPLAY CASE AND REFRIGERATION

Aftermarket Plastic Parts



R-AM-CASDIV-XD12

- XD-12 WHDE - 1W
3762 Case Divider
- Acrylic 6mm Clear



IDP NUMBER	R-AM-CASDIV-XD12
OEM	
OEM BADGE NUMBER	
SUITABLE FOR	

DISPLAY CASE AND REFRIGERATION

Aftermarket Plastic Parts



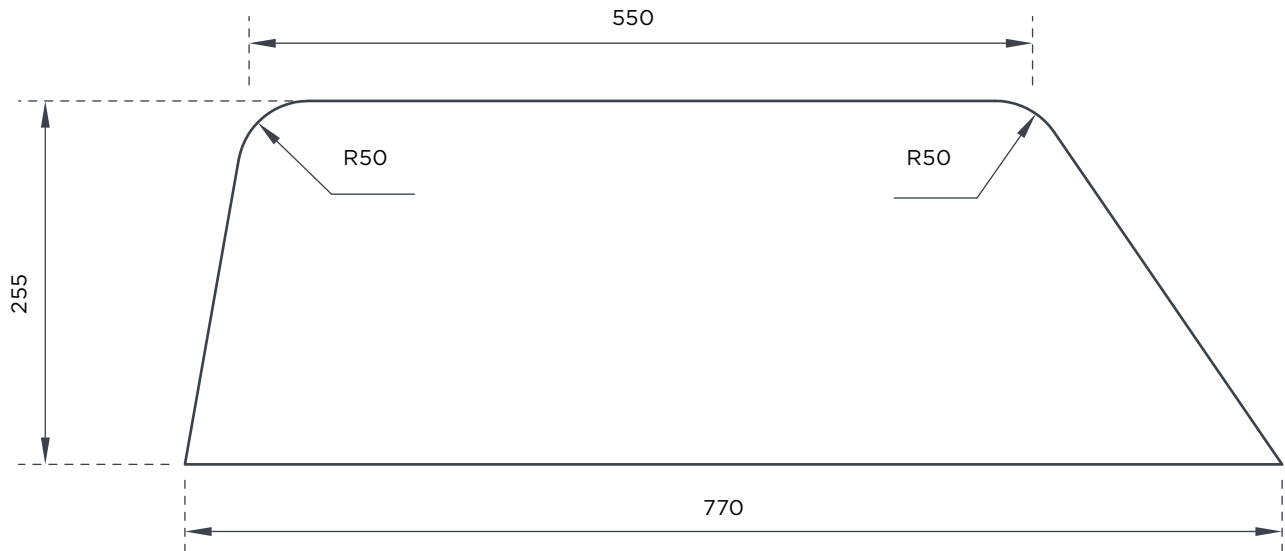
R-AM-FREEDIV

- LV5H-1 Freezer Divider
- Acrylic 6mm Clear

IDP NUMBER	R-AM-FREEDIV
OEM	
OEM BADGE NUMBER	
SUITABLE FOR	DISPLAY FREEZER

DISPLAY CASE AND REFRIGERATION

Aftermarket Plastic Parts



R-AM-KYSWAR3DIV

- KWM3 Kysor Warren M3 Divider
- Acrylic 4.5mm Clear

IDP NUMBER	R-AM-KYSWAR3DIV
OEM	
OEM BADGE NUMBER	
SUITABLE FOR	KYSOR WARREN DELI CASE

DISPLAY CASE AND REFRIGERATION

Aftermarket Plastic Parts



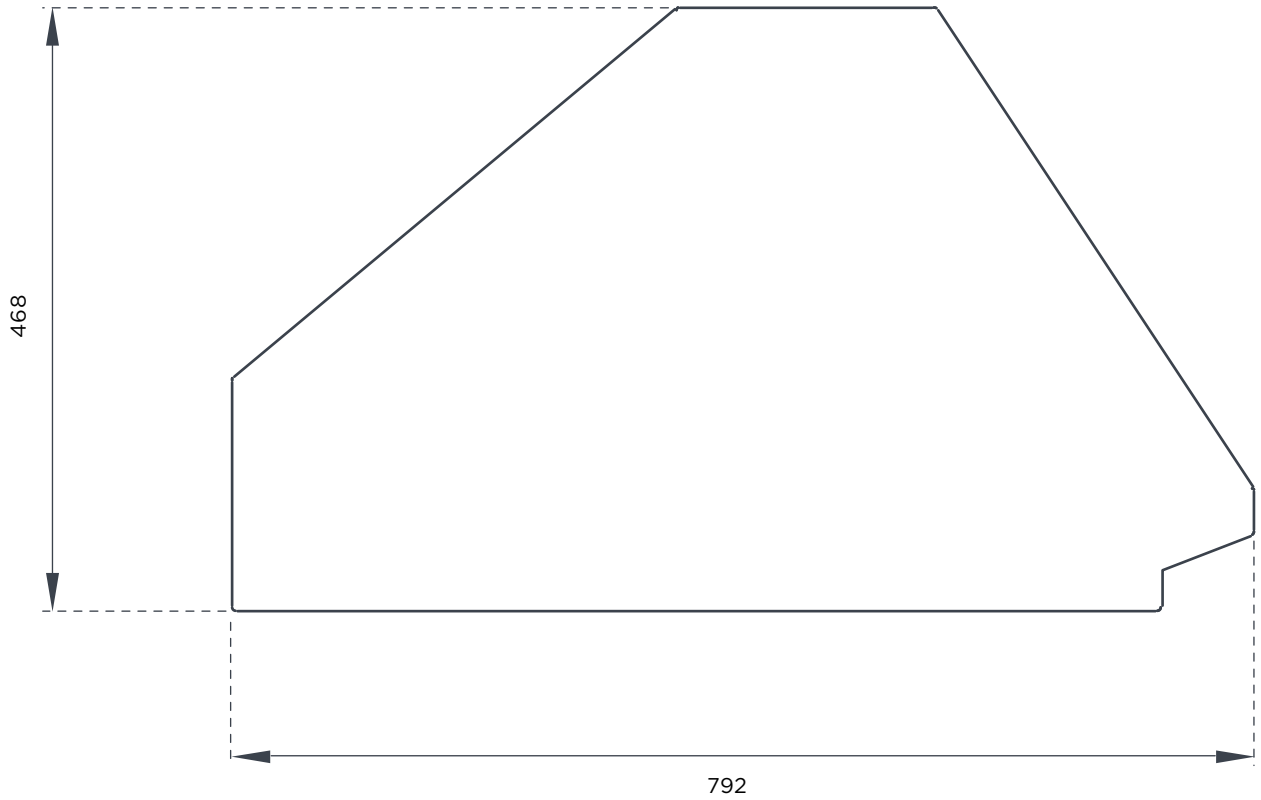
R-AM-SYSTDIV

- System Divider
- Acrylic 6mm Clear

IDP NUMBER	R-AM-SYSTDIV
OEM	
OEM BADGE NUMBER	
SUITABLE FOR	

DISPLAY CASE AND REFRIGERATION

Aftermarket Plastic Parts



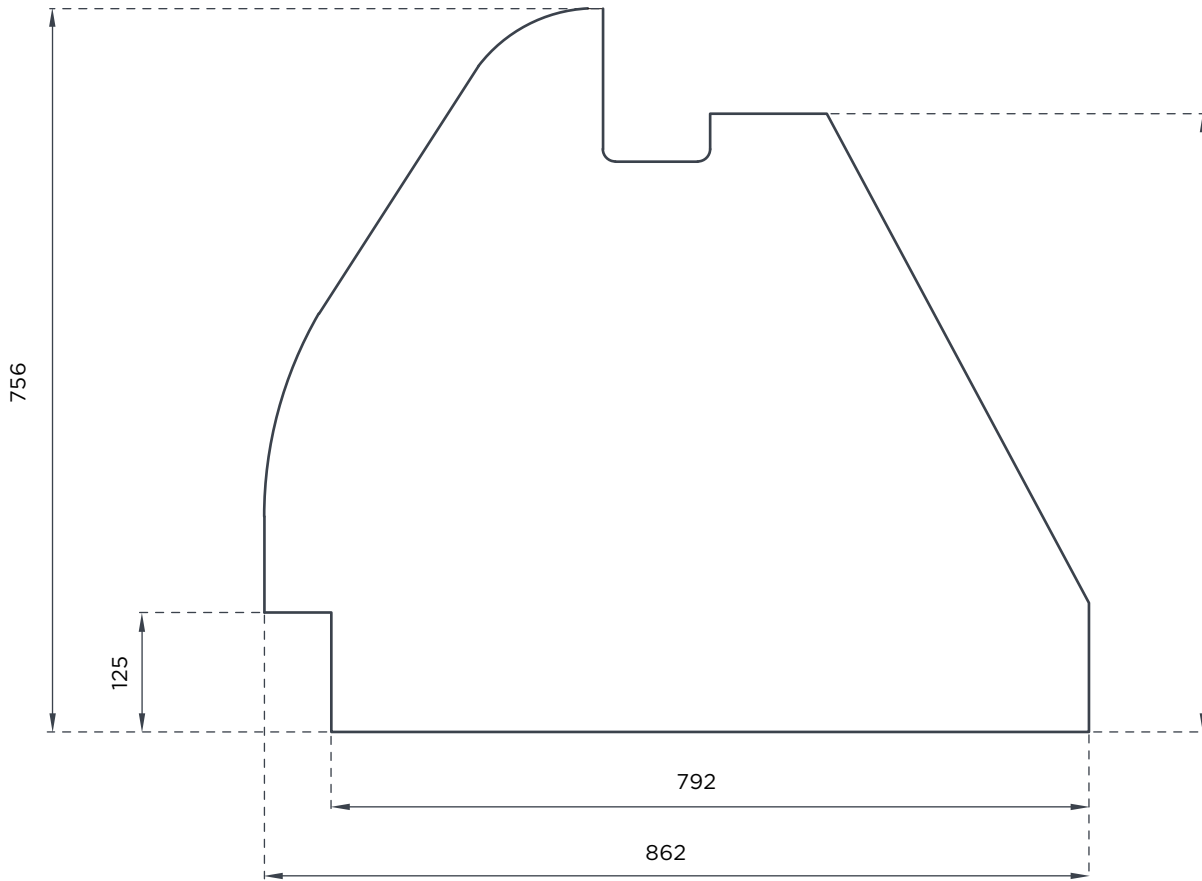
R-AM-AUSMEATDIV

- New Austral Meat Case Divider
- Acrylic 6mm Clear

IDP NUMBER	R-AM-AUSMEATDIV
OEM	
OEM BADGE NUMBER	
SUITABLE FOR	

DISPLAY CASE AND REFRIGERATION

Aftermarket Plastic Parts



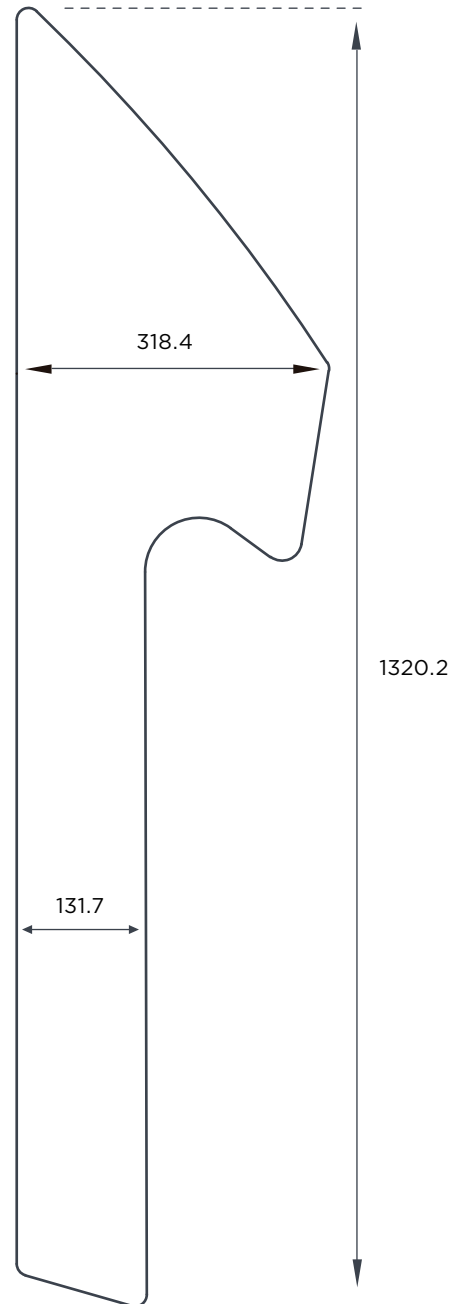
R-AM-DELIDIV

- Deli Divider
- Acrylic 6mm Clear

IDP NUMBER	R-AM-DELIDIV
OEM	
OEM BADGE NUMBER	
SUITABLE FOR	VARIOUS DELI CASES

DISPLAY CASE AND REFRIGERATION

Aftermarket Plastic Parts



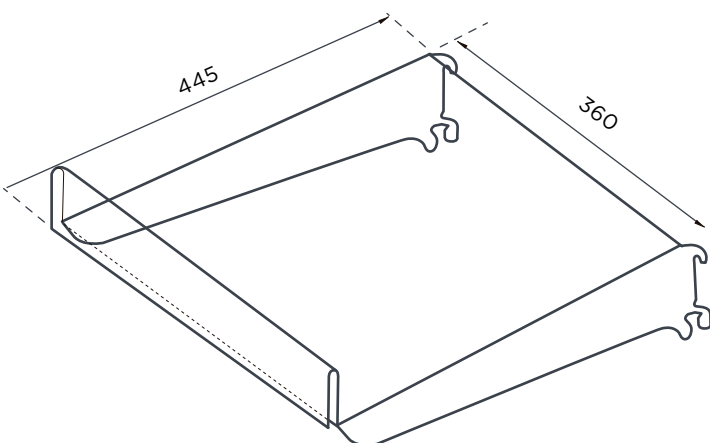
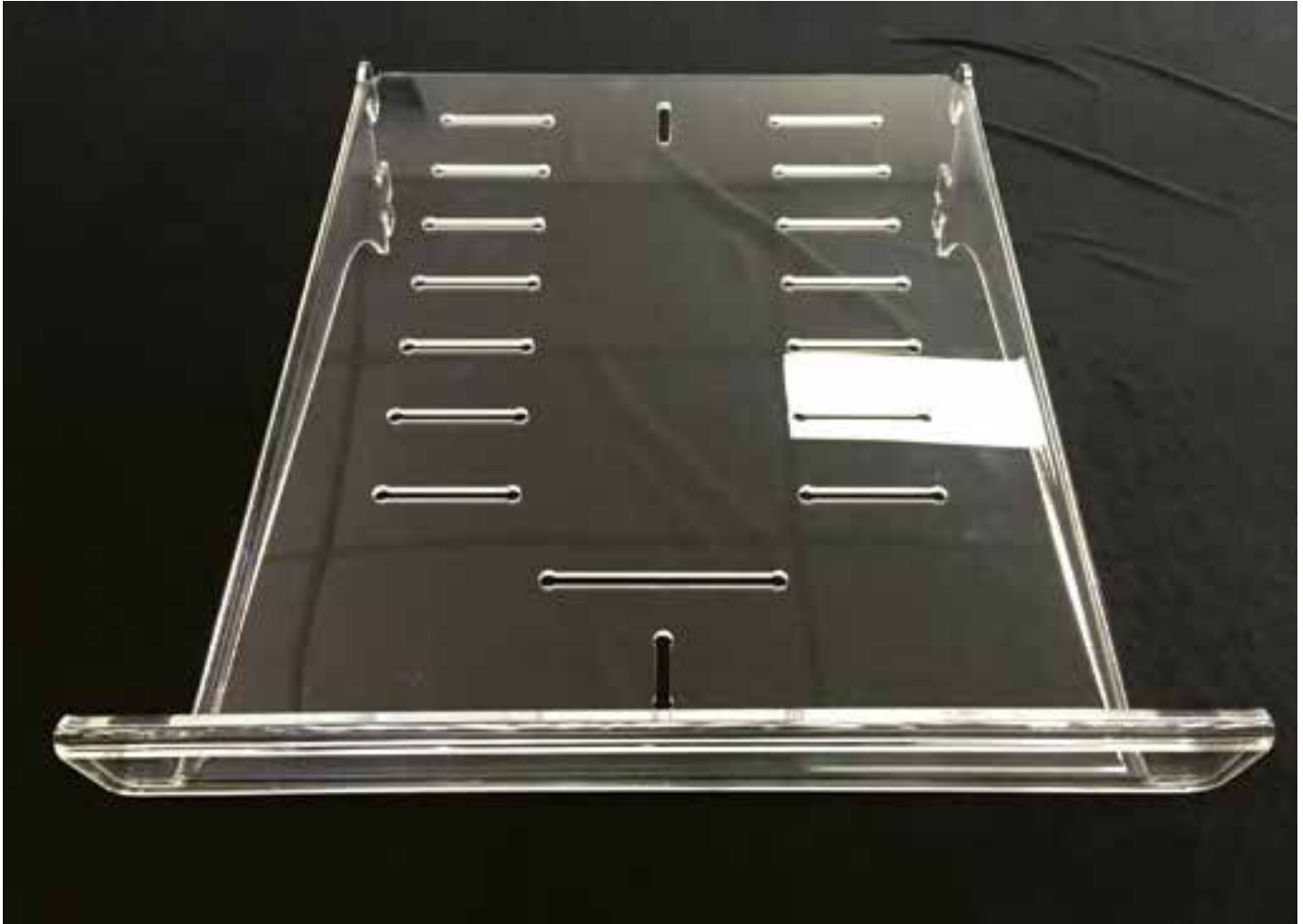
R-AM-SEAENDDIV

- Seafood Case End
- Acrylic 25mm Clear

IDP NUMBER	R-AM-SEAENDDIV
OEM	
OEM BADGE NUMBER	
SUITABLE FOR	

DISPLAY CASE AND REFRIGERATION

Aftermarket Plastic Parts



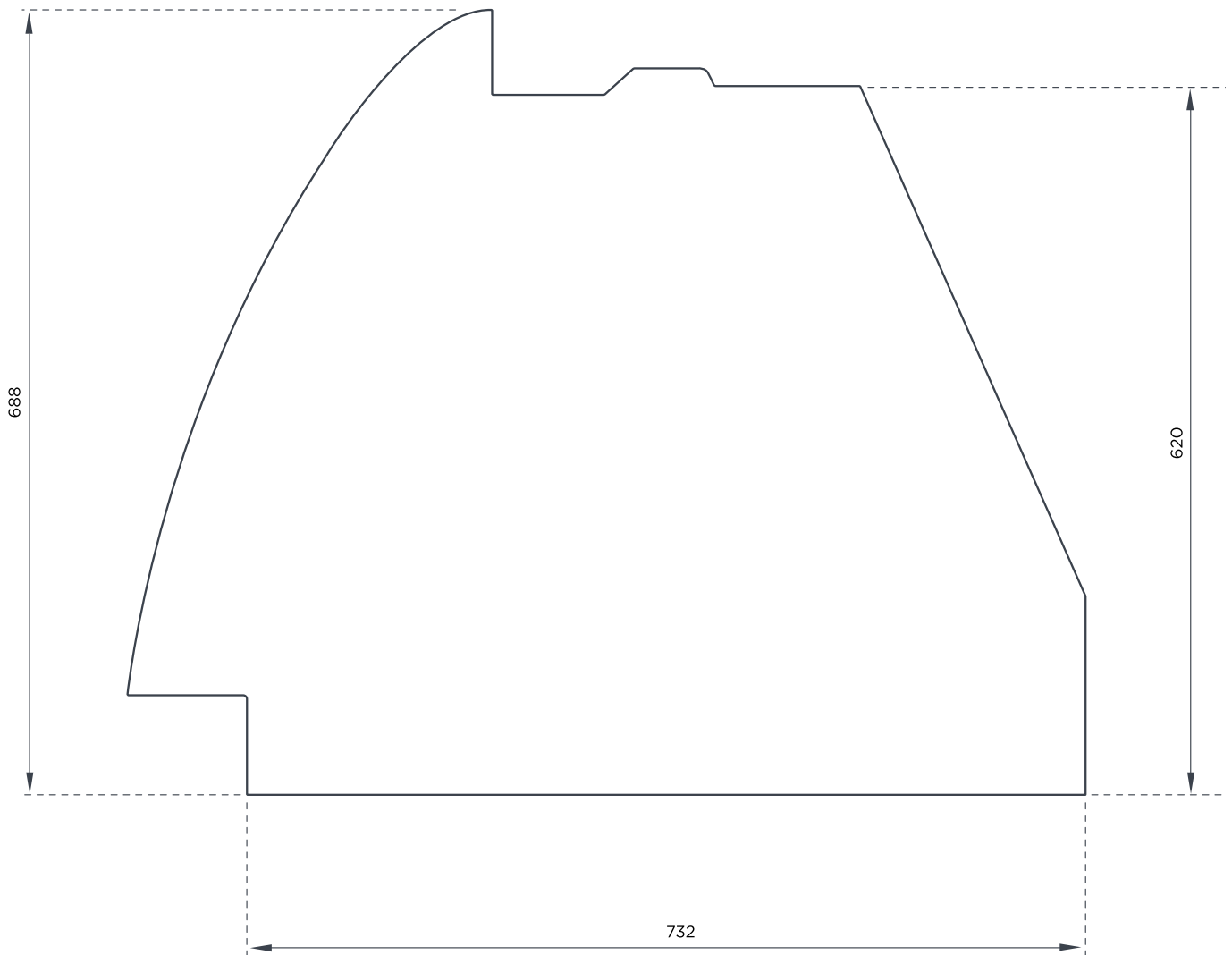
R-AM-PRODIVSHE

- Product Divider
- Acrylic Clear 4.5mm

IDP NUMBER	R-AM-PRODIVSHE
OEM	
OEM BADGE NUMBER	
SUITABLE FOR	

DISPLAY CASE AND REFRIGERATION

Aftermarket Plastic Parts



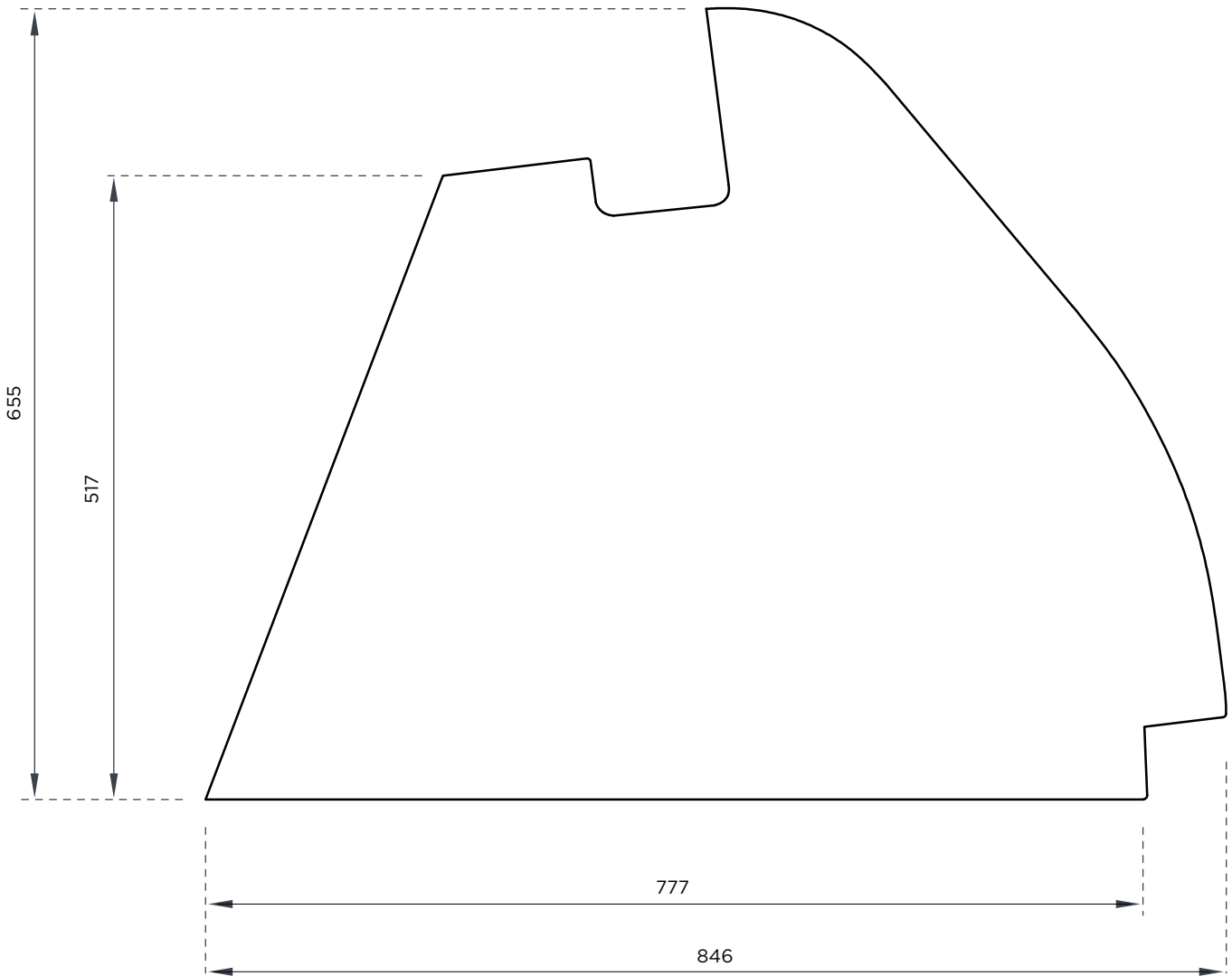
R-AM-AUST-DI-1

- Austral Deli Case XDIS4DE2-1W
- 6mm Acrylic

IDP NUMBER	R-AM-AUSDELIDIV
OEM	AUSTRAL
OEM BADGE NUMBER	XDIS4DE2-1W
SUITABLE FOR	VARIOUS DELI CASES

DISPLAY CASE AND REFRIGERATION

Aftermarket Plastic Parts



R-AM-AUST-DI-2

- Austral Deli Case ND12W4DE-1W 3672
- 6mm Acrylic

IDP NUMBER	R-AM-AUSDELIDIV
OEM	AUSTRAL
OEM BADGE NUMBER	ND12W4DE-1W 3672
SUITABLE FOR	VARIOUS DELI CASES

DISPLAY CASE AND REFRIGERATION

Aftermarket Plastic Parts - Guards/Barriers

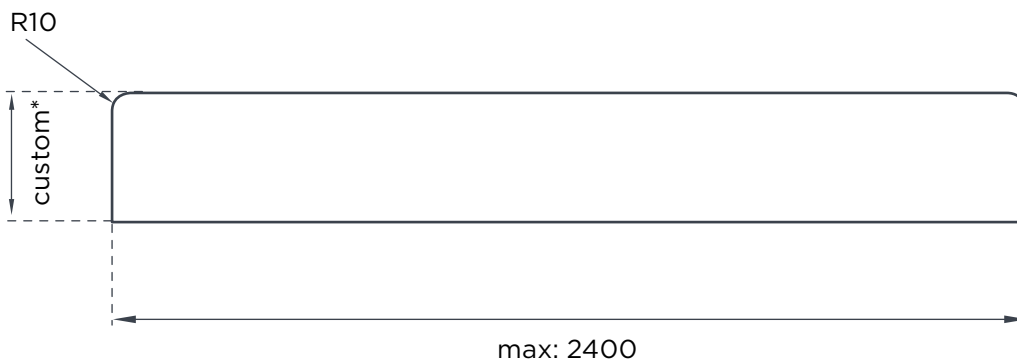


R-AM-DAIRYCASE

- Dairy Case Return Panels
- Acrylic 4.5mm or 6mm Clear

IDP NUMBER	R-AM-DAIRYCASE
OEM	
OEM BADGE NUMBER	
SUITABLE FOR	

* customer to advise required height



DISPLAY CASE AND REFRIGERATION

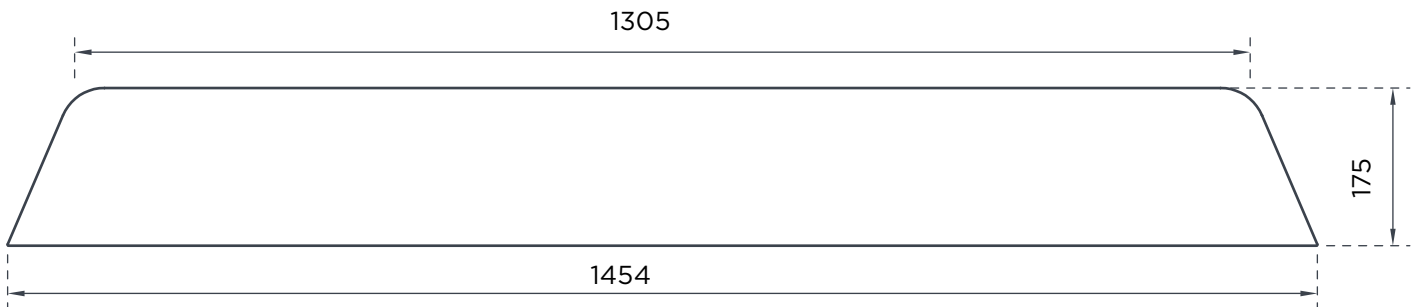
Aftermarket Plastic Parts



R-AM-BREEGUA-XM20

- XM-20 - Breeze Guard
- Acrylic 6mm Clear

IDP NUMBER	R-AM-BREEGUA-XM20
OEM	HUSSMANN
OEM BADGE NUMBER	
SUITABLE FOR	DISPLAY CABINETS



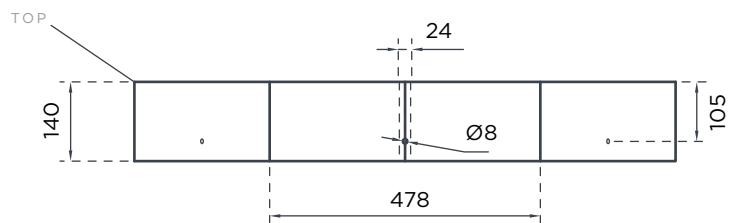
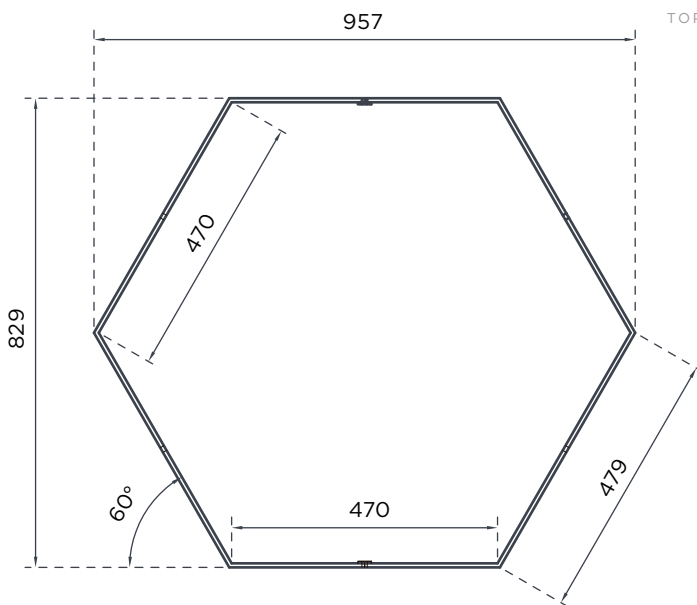
DISPLAY CASE AND REFRIGERATION

Aftermarket Plastic Parts



R-AM-HUSSRHLOW

- RHRHEXLOW Hussmann RHR
- Low Level Barrier
- Acrylic 6mm Clear



IDP NUMBER	R-AM-HUSSRHLOW
OEM	HUSSMANN
OEM BADGE NUMBER	
SUITABLE FOR	

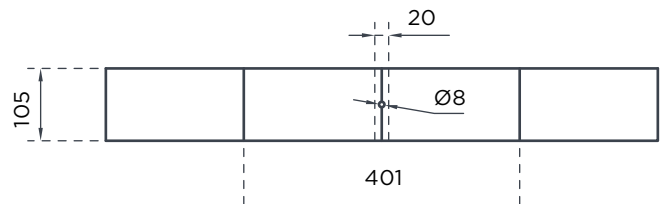
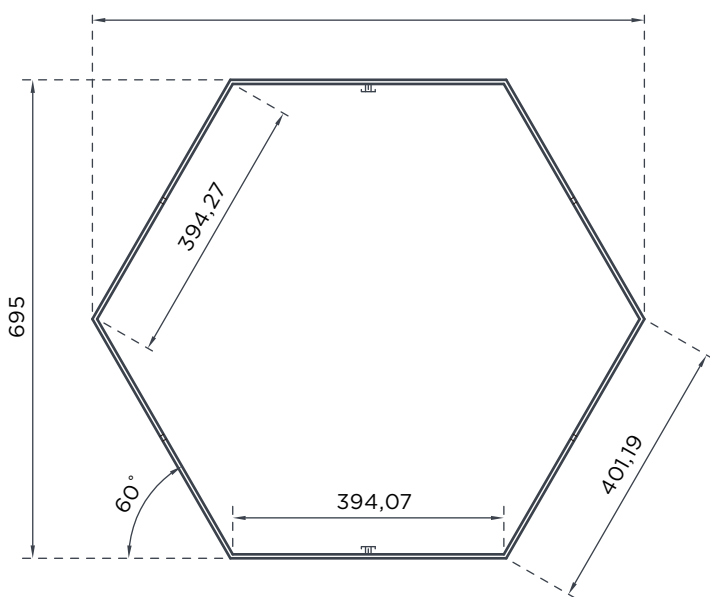
DISPLAY CASE AND REFRIGERATION

Aftermarket Plastic Parts



R-AM-HUSSRHRMID

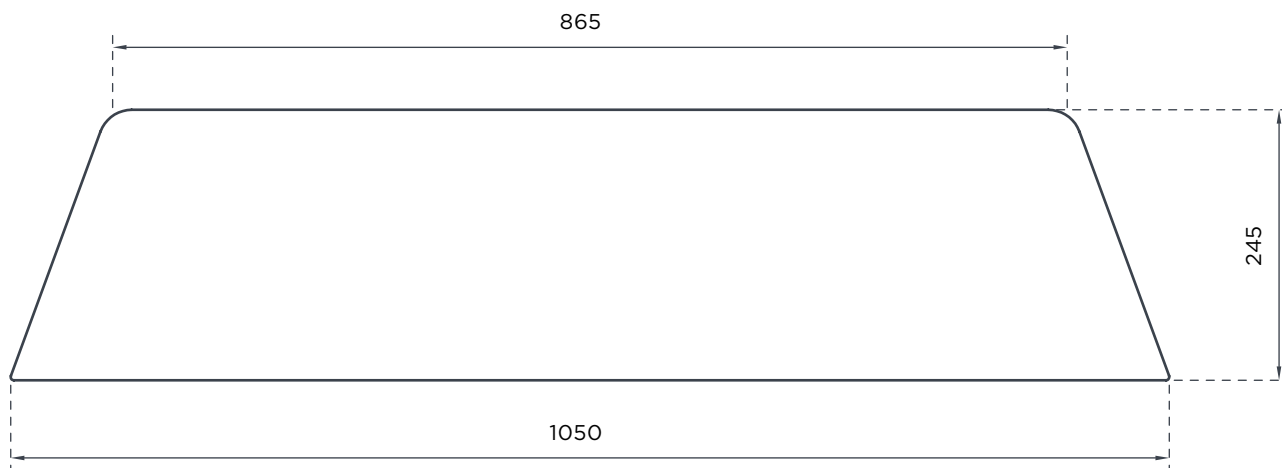
- RHRHEXMID Hussmann RHR
- Mid Level Barrier
- Acrylic 6mm Clear



IDP NUMBER	R-AM-HUSSRHRMID
OEM	HUSSMANN
OEM BADGE NUMBER	
SUITABLE FOR	

DISPLAY CASE AND REFRIGERATION

Aftermarket Plastic Parts



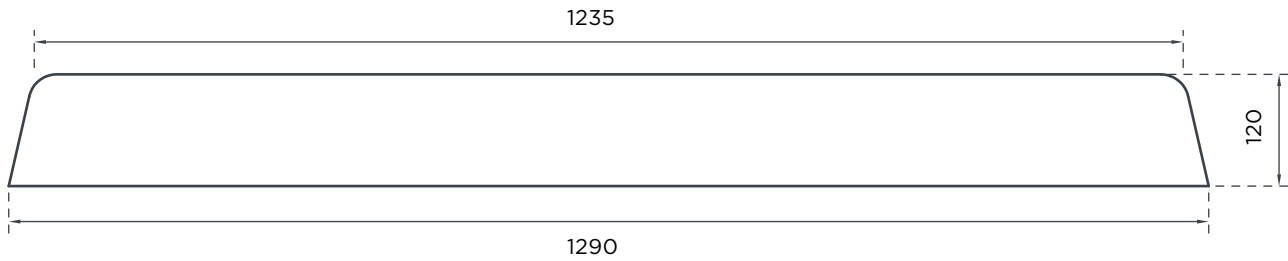
R-AM-M4MEAT

- M4MEATCASE M4 Meat Case Guard
- Acrylic 6mm Clear

IDP NUMBER	R-AM-M4MEAT
OEM	
OEM BADGE NUMBER	
SUITABLE FOR	

DISPLAY CASE AND REFRIGERATION

Aftermarket Plastic Parts



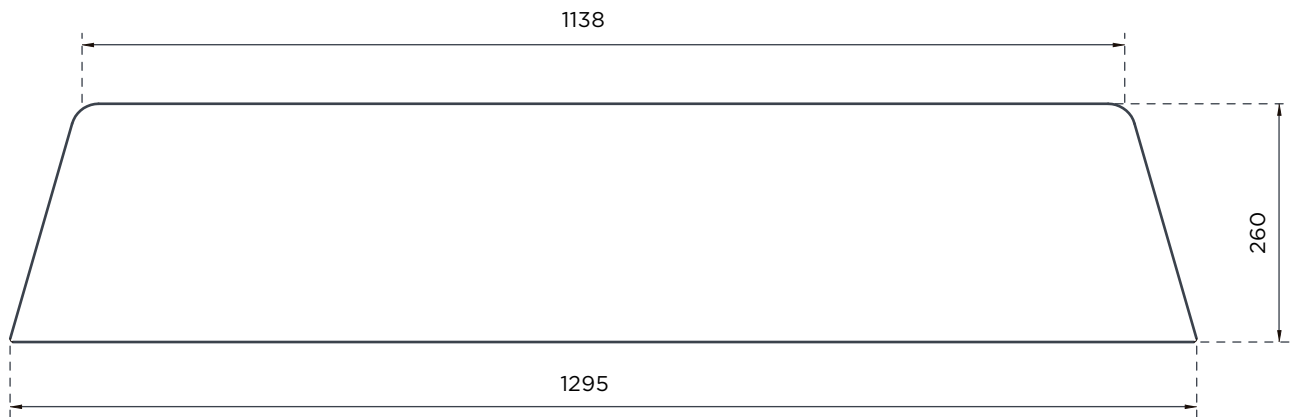
R-AM-D6LSLIM

- KWD6LSLIMLINE D6L Slimline Guard
- Acrylic 6mm Clear

IDP NUMBER	R-AM-D6LSLIM
OEM	
OEM BADGE NUMBER	
SUITABLE FOR	KYSOR WARREN FRIDGES

DISPLAY CASE AND REFRIGERATION

Aftermarket Plastic Parts



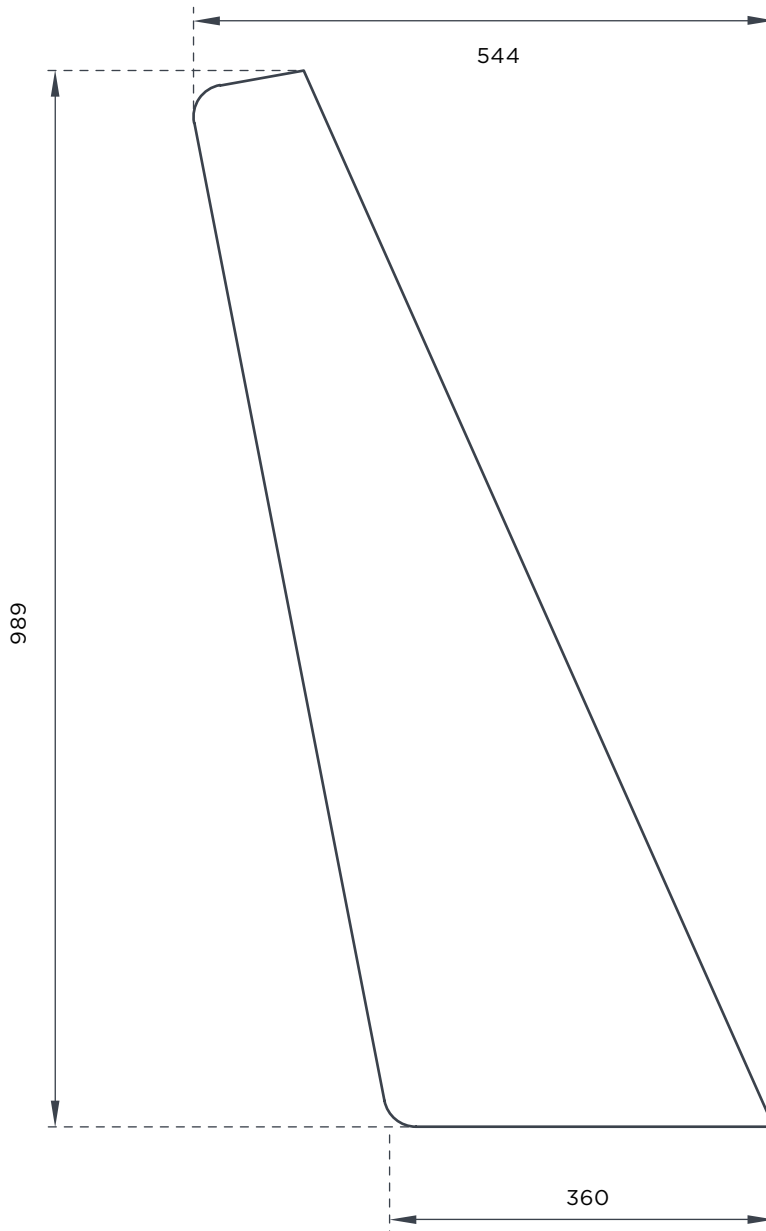
R-AM-D6LGUARD

- KWD6L D6L Guard
- Acrylic 6mm Clear

IDP NUMBER	R-AM-D6LGUARD
OEM	
OEM BADGE NUMBER	
SUITABLE FOR	KYSOR WARREN FRIDGES

DISPLAY CASE AND REFRIGERATION

Aftermarket Plastic Parts



R-AM-FRIDBREEGUA

- Fridgerite Breeze Guard
- Acrylic 6mm Clear

IDP NUMBER	R-AM-FRIDBREEGUA
OEM	
OEM BADGE NUMBER	
SUITABLE FOR	FRIDGERITE FRIDGES

DISPLAY CASE AND REFRIGERATION

Aftermarket Plastic Parts



R-AM-LOOSNEGUA

- Loose Roll Sneeze Guard
- Acrylic 6mm Clear

IDP NUMBER	R-AM-LOOSNEGUA
OEM	
OEM BADGE NUMBER	
SUITABLE FOR	

DISPLAY CASE AND REFRIGERATION

Aftermarket Plastic Parts



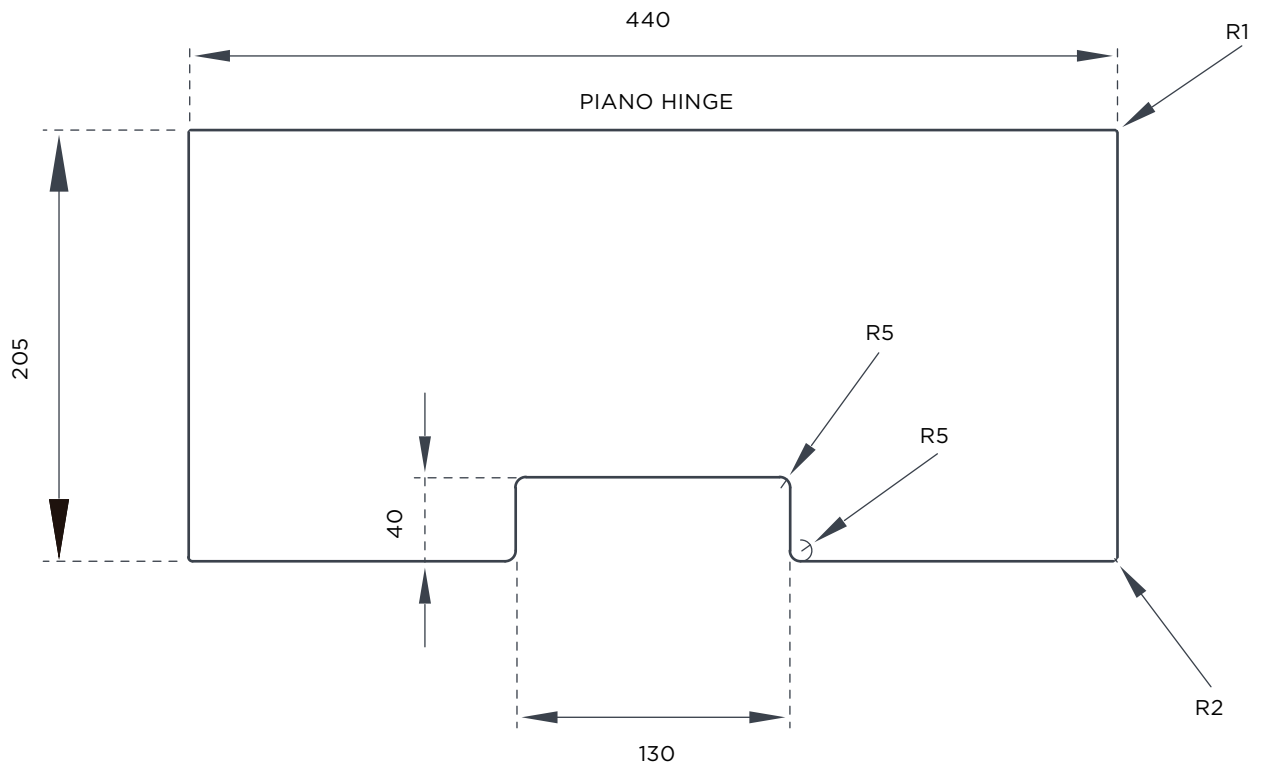
R-AM-ROLLBARR

- Roll Strip Barrier
- Polycarbonate 6mm Clear
- w/Wire Hook Inserts

IDP NUMBER	R-AM-ROLLBARR
OEM	
OEM BADGE NUMBER	
SUITABLE FOR	

DISPLAY CASE AND REFRIGERATION

Aftermarket Plastic Parts - Doors



R-AM-BAKEDOOR

- Bakery Loose Roll Cabinet Door • (complete with clear piano hinge)
- Acrylic 6mm Clear

IDP NUMBER	R-AM-BAKEDOOR
OEM	
OEM BADGE NUMBER	
SUITABLE FOR	

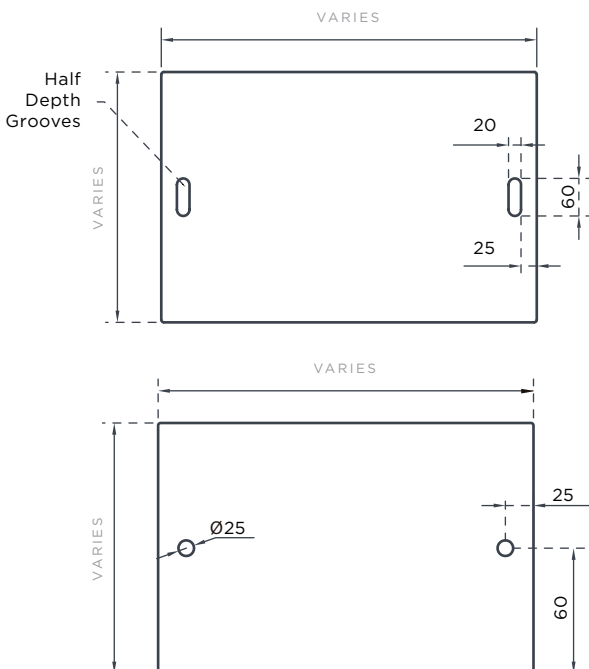
DISPLAY CASE AND REFRIGERATION

Aftermarket Plastic Parts



R-AM-SLIDING DOOR

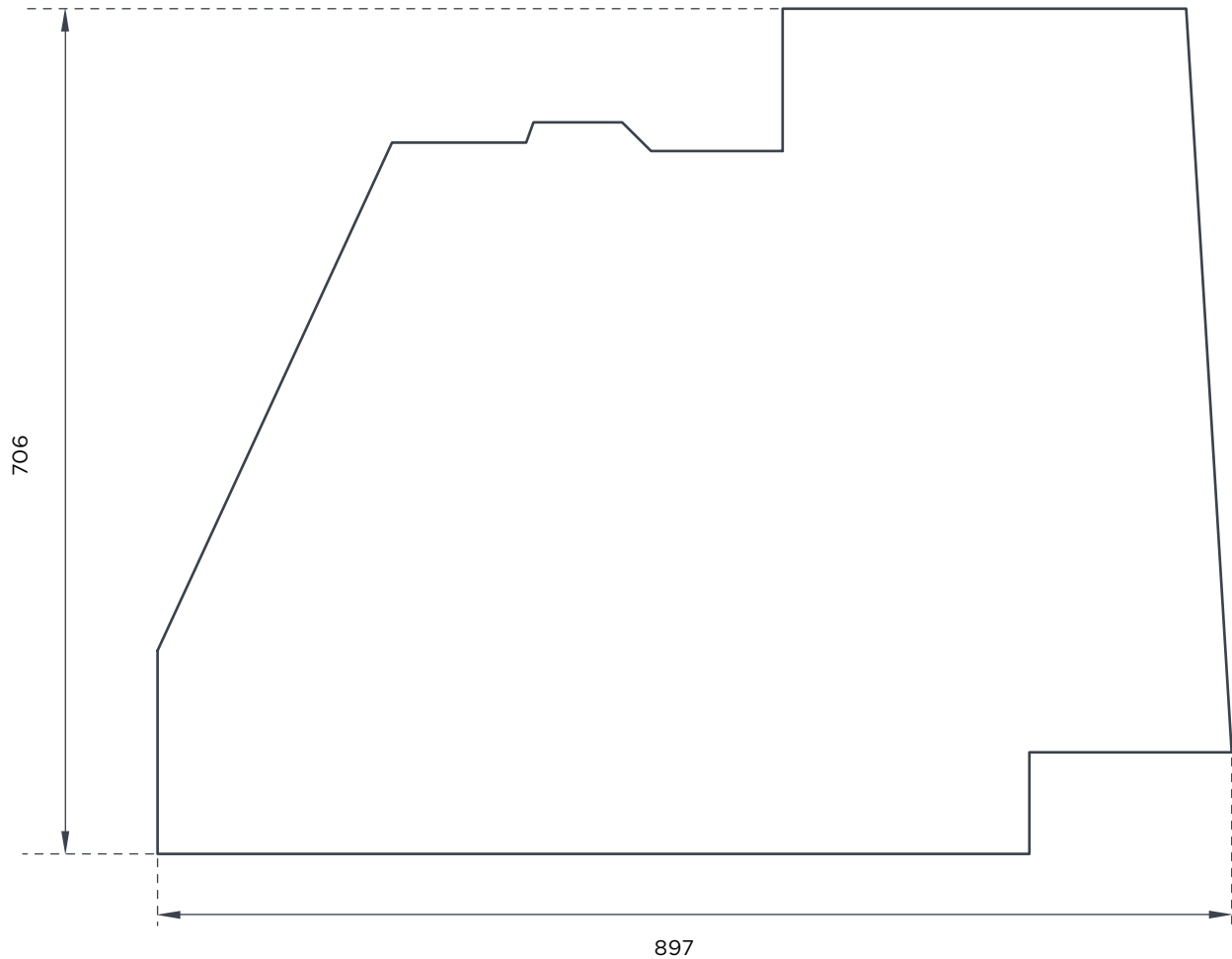
- Sliding Door
- Acrylic (cold case) or Polycarbonate (warm case)
- Typical thicknesses: 3mm, 4.5mm, 6mm, 8mm (Acrylic only), 10mm, 12mm, 20mm + heavier.



IDP NUMBER	R-AM-SLIDING DOOR
OEM	
OEM BADGE NUMBER	
SUITABLE FOR	HUSSMANN FRIDGES

DISPLAY CASE AND REFRIGERATION

Aftermarket Plastic Parts - Other



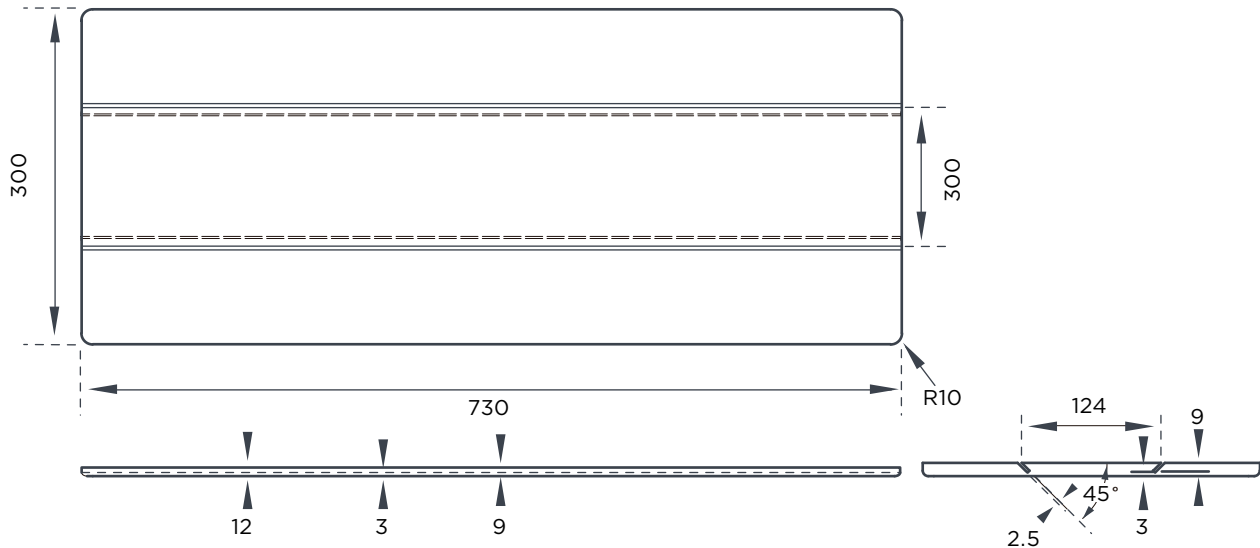
R-AM-AUSXD135

- Austral XD1354DEY1 - 1W - 3672
- Acrylic 6mm Clear

IDP NUMBER	R-AM-AUSXD135
OEM	
OEM BADGE NUMBER	
SUITABLE FOR	

DISPLAY CASE AND REFRIGERATION

Aftermarket Plastic Parts



R-AM-CHOPBOARD

- Chopping Board • Natural White HDPE 12mm

IDP NUMBER	R-AM-CHOPBOARD
OEM	
OEM BADGE NUMBER	
SUITABLE FOR	

Display Case and Refrigeration Aftermarket Plastic Parts

- Huge savings versus OEM supplied parts
- ISO9001 Quality guaranteed
- 50 years of Customer Satisfaction
- On site measure and quote service available
- Installation service

CUSTOM FABRICATION

Industrial Plastics™ can handle all your custom parts requirements.

We have designers at the ready to find plastic solutions to any replacement parts made from glass, composites, engineering grade plastics or any other typical materials that plastic can substitute.

Please feel free to bring in, send in, take photos or send sketches our way of any solutions you require.

Do not hesitate to contact us in regard to any questions you may have. Our design team is happy to assist.

CALL 1300 465 888

plastics@industrialplastics.com.au



© 2021



**INDUSTRIAL
PLASTICS™**

Unit D, 731 Curtin Avenue E, Pinkenba, QLD, 4008, Australia

PHONE: 1300 465 888 | **EMAIL:** plastics@industrialplastics.com.au | **WEB:** industrialplastics.com.au